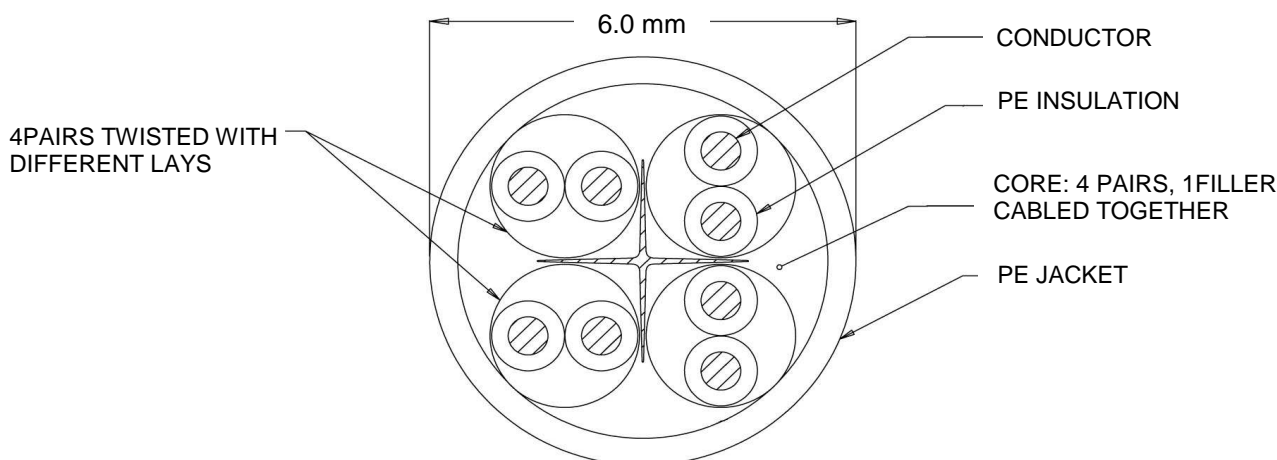


Category 6 U/UTP Outdoor Cable



1427319-1



Description

AMP NETCONNECT Category 6 (CAT6) Outdoor cables UV Stabilized PE Jacket (Double PE, Jacket and Insulation) cables exceed TIA/EIA-568-B.2-1 and ISO/IEC 11801:2002 Class E, IEC61156-5, IEC60332-1-2, EN50288-6-1 and EN50173-1, suitable for outdoor horizontal, vertical, aerial applications performance requirements comply with all of the performance requirements for current and proposed applications such as Gigabit Ethernet, 100BASE-Tx, token ring, 155 Mbps ATM, 100 Mbps TP-PMD, ISDN, analog (Broadband, Baseband) and digital video and analog and digital voice (VoIP), IP Camera. The cable is available in black color, and packaged as reel-in-box.

Specification (text in brackets [] requires a choice)

Horizontal cabling shall be 23 AWG, 4-pair U/UTP, Cable jacketing shall be a [Black] Polyethylene (UV-PE) jacket for UV/harsh outdoor environment protection and shall be lead-free. Cable shall meet the performance requirements listed in the following table [include Performance Characteristics table from back page] in addition to all other standard Category 6 performance. Cable shall be supplied [on reel-in-box]. Cable shall be UL 444. Flammability shall comply to NEC article 800. Horizontal (Solid) cable shall be AMP NETCONNECT part number 1427319-1.

Part Numbers

Description	Nominal Diameter		Vp (nom%)	Weight KG/KM	Package	Part Numbers
	Dielectric	Outside				Black
Cat 6, 4-Pair Outdoor Cable UV Stabilized, PE,	0.99mm	6.0mm	67	35 ± 5 lbs	Reel in Box	1427319-1
Package: Reel Box (1000 ft.)						

Category 6 U/UTP Outdoor Cable



1427319-1

Performance Characteristics (exceed TIA/EIA-568-B.2-1 Category 6)

Frequency (MHz)	Attenuation (dB/100m)	NEXT (dB)		PSNEXT (dB)		ELFEXT (dB)		PSELFEXT (dB)		RL (dB)		ACR (dB)		PSACR (db)	
		Min	Typ	Min	Typ	Min	Typ	Min	Typ	Min	Typ	Min	Typ	Min	Typ
	Max														
0.772	1.8	79	82	77	79	70	73	67	69	-	-	77.2	80.2	75.2	77.2
1	2	77	80	75	77	68	71	65	67	20	28	75	78.3	73	75.3
4	3.8	68	71	66	68	56	59	53	55	23	31	64.2	67.5	62.2	64.5
8	5.3	64	67	62	64	50	53	47	49	24.5	32.5	58.7	61.4	56.7	58.4
10	6	62	65	60	62	48	51	45	47	25	33	56	59.3	54	56.3
16	7.6	59	62	57	59	44	47	41	43	25	33	51.4	54.7	49.4	51.7
20	8.5	58	61	56	58	42	45	39	41	25	33	49.5	52.3	47.5	49.3
25	9.5	56	59	54	56	40	43	37	39	24.3	32.3	46.5	49.8	44.5	46.8
31.25	10.7	55	58	53	55	38	41	35	37	23.6	31.6	44.3	47.2	42.3	44.2
62.5	15.4	50	53	48	50	32	35	29	31	21.5	29.5	34.6	37.9	32.6	34.9
100	19.8	47	50	45	47	28	31	25	27	20.1	28.1	27.2	30.4	25.2	27.4
155	25.3	44	47	42	44	24	27	21	23	18.8	26.8	18.7	22.1	16.7	19.1
200	29	43	46	41	43	22	25	19	21	18	26	14	16.6	12	13.6
250	32.8	41	44	39	41	20	23	17	19	17.3	25.3	8.2	11.3	6.2	8.3

Technical Details

Materials

Conductors – 23 AWG solid bare copper

Insulation – Polyethylene, 0.99 mm nom dia, 0.217 mm thickness.

Jacket – UV-PE, 6.0 mm nom dia, 0.5 ± 0.15 mm Thickness

Filler – Polyethylene

Electrical Characteristics

Impedance – 100Ω ± 15%, 1 MHz to 100 MHz, ± 22%, 125 MHz to 250 MHz

Propagation delay – 536 ns/100 m max. @ 250 MHz

Skew – 45 ns/100 m max. @250 MHz

Mutual capacitance – 5.1 nF max/100 m

Capacitance unbalance – 160 nF max/100 m

Conductor resistance – 8.9Ω max/100 m

Resistance unbalance – 2% @ 20°C

Insulation resistance (500 V) – Min 5000MΩ/Km @ 20°C

Mechanical Characteristics

Bend radius – The minimum bending radius is 8x outside diameter during installation and 4x the outside diameter after installation ≈ 1"

Operating temperature – -20°C to 60°C

Installation temperature – 0°C to 50°C

Storage temperature – -20°C to 60°C

Test Voltage (1 min) – 1KV /1 min (DC)

Tensile Strength – >9MPa, (9000KN/Square Meter)

Approvals

RoHS Compliant

Specifications subject to change without notice.

Revised 10/09

<http://www.ampnetconnect.com/thailand>

