



## Modular Jack Termination SL Tool Kit with Lacing Fixture, for large cable diameter

- Terminates all AMP-TWIST and SL Series Modular Jacks
- Strips cable, marks foil, terminates and cuts 8 conductors at once
- Maintains twisted pair integrity
- Time and cost saving simplifying lacing process and speeding up the termination
- Lacing fixture assures simple and efficient terminations (lacing fixture used only when terminating SL-style jacks)

## Product Classification

<b>Portfolio</b>	CommScope®
<b>Product Type</b>	Modular jack tooling
<b>Regional Availability</b>	Asia   Australia/New Zealand   EMEA   Latin America   North America

## Dimensions

**Compatible Cable Diameter, maximum** 7.24 mm | 0.29 in

## Environmental Specifications

**Environmental Space** Indoor

## General Specifications

<b>Application</b>	For use with AMP-TWIST 6S and 6AS SL outlets   For use with AMP-TWIST 7AS SL outlets   For use with SL Series outlets
<b>Package Quantity</b>	1
<b>Packaging Type</b>	Pouch

## Regulatory Compliance/Certifications

**Agency**  
RoHS 2011/65/EU

**Classification**  
Compliant



## Included Products

1725150-3 — Modular Jack Termination SL Tool Kit without Lacing Fixture

1673956-6 — Modular Jack Lacing Fixture for SL Tool



## Modular Jack Termination SL Tool Kit without Lacing Fixture

- Terminates all AMP-TWIST Jacks
- Strips cable, marks foil, terminates and cuts 8 conductors at once
- Maintains twisted pair integrity
- Time and cost saving simplifying lacing process and speeding up the termination

## Product Classification

<b>Portfolio</b>	CommScope®
<b>Product Type</b>	Modular jack tooling
<b>Regional Availability</b>	Asia   Australia/New Zealand   EMEA   Latin America   North America

## Dimensions

**Compatible Cable Diameter, maximum** 7.00 mm | 0.28 in

## Environmental Specifications

**Environmental Space** Indoor

## General Specifications

<b>Application</b>	For use with AMP-TWIST 6S and 6AS SL outlets   For use with AMP-TWIST 7AS SL outlets
<b>Package Quantity</b>	1
<b>Packaging Type</b>	Pouch

## Regulatory Compliance/Certifications

**Agency**  
RoHS 2011/65/EU

**Classification**  
Compliant



## Modular Jack Lacing Fixture for SL Tool



### Product Classification

<b>Portfolio</b>	CommScope®
<b>Product Type</b>	Modular jack tooling
<b>Regional Availability</b>	Asia   Australia/New Zealand   EMEA   Latin America   North America

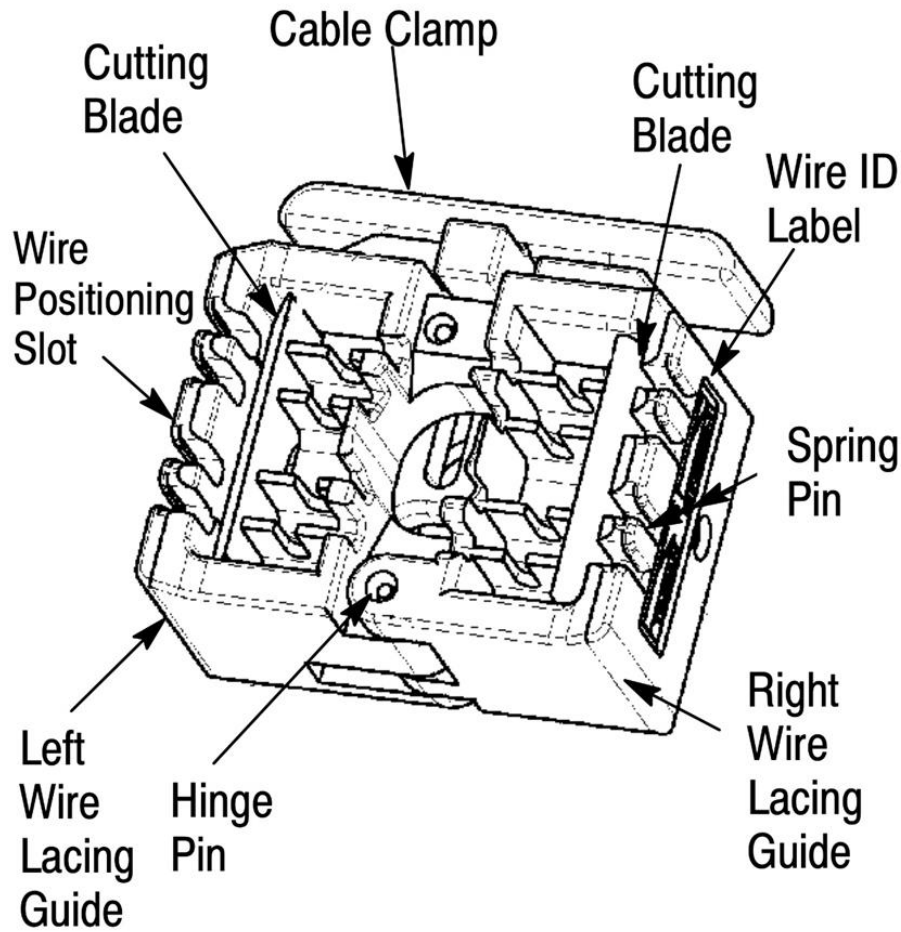
### Environmental Specifications

<b>Environmental Space</b>	Indoor
----------------------------	--------

### General Specifications

<b>Application</b>	For use with SL Series outlets
<b>Package Quantity</b>	1
<b>Packaging Type</b>	Box   Carton

### Outline Drawing



Outline Drawing Used as an image placeholder

### Regulatory Compliance/Certifications

**Agency**  
RoHS 2011/65/EU

**Classification**  
Compliant

